

COMPUTER DESK ASSEMBLY INSTRUCTIONS

Thank you for choosing to purchase from Piranha Furniture. We trust everything is as expected, however if there are **ANY** issues at all or you have further questions, please don't hesitate to email us and we will resolve the matter as quickly as possible:

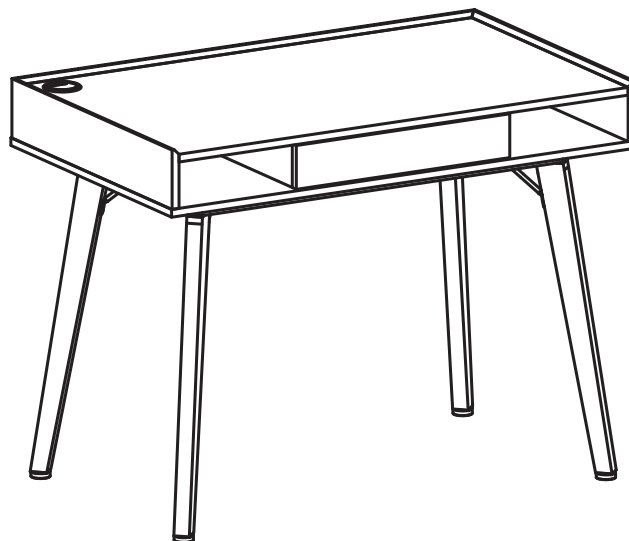
United Kingdom: sales@piranhafurniture.com

Rest of EU: info@piranhaeurope.com

You can contact us through our website www.piranhafurniture.com where you will also find our full range of products.

Please read the assembly instructions carefully before the installation

Retain all packaging as, if required, goods must be returned packed in the original cartons.



TWO PEOPLE REQUIRED

MODEL PC43

General Care:

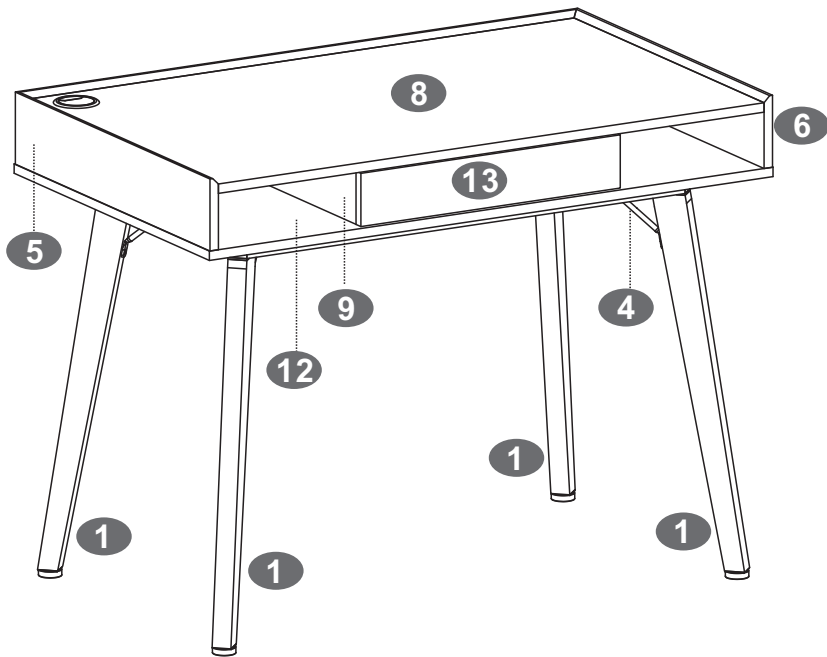
Keep furniture out of direct sunlight. Use mats and coasters to protect surfaces.
Do not place hot or wet items directly onto unprotected surfaces.


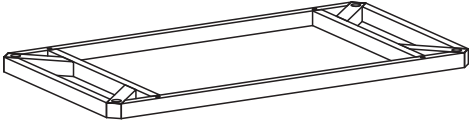

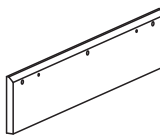
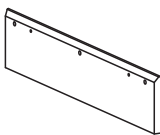
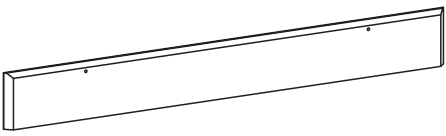
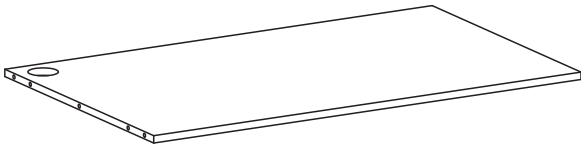
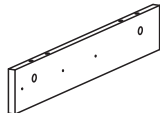
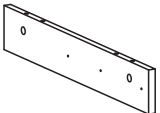
Cleaning:

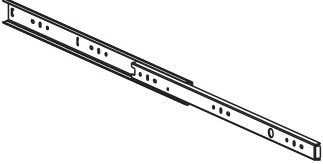
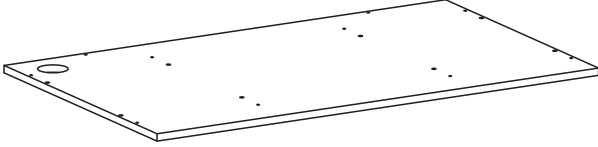







Wipe surfaces with a clean damp (not wet) cloth then dry with a clean lint free cotton cloth.
Glass surfaces may be polished with window or other glass cleaning liquids.



■ PARTS LIST




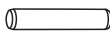


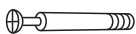
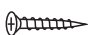



 X4	 X1	 X4
 X1	 X1	 X1
 X1	 X1	 X1

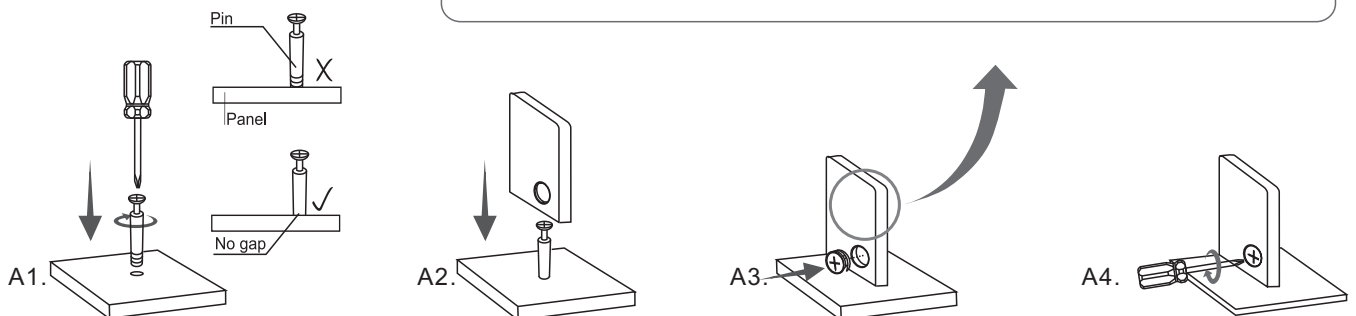
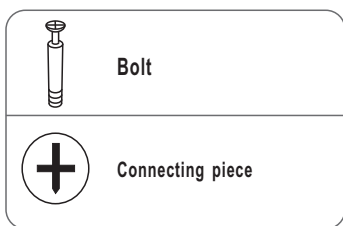
 <p>11</p> <p>X2</p>	 <p>12</p> <p>X1</p>		
 <p>13</p> <p>X1</p>	 <p>14</p> <p>X1</p>	 <p>15</p> <p>X1</p>	 <p>16</p> <p>X1</p>
 <p>17</p> <p>X1</p>	 <p>18</p> <p>X2</p>	 <p>19</p> <p>X1</p>	



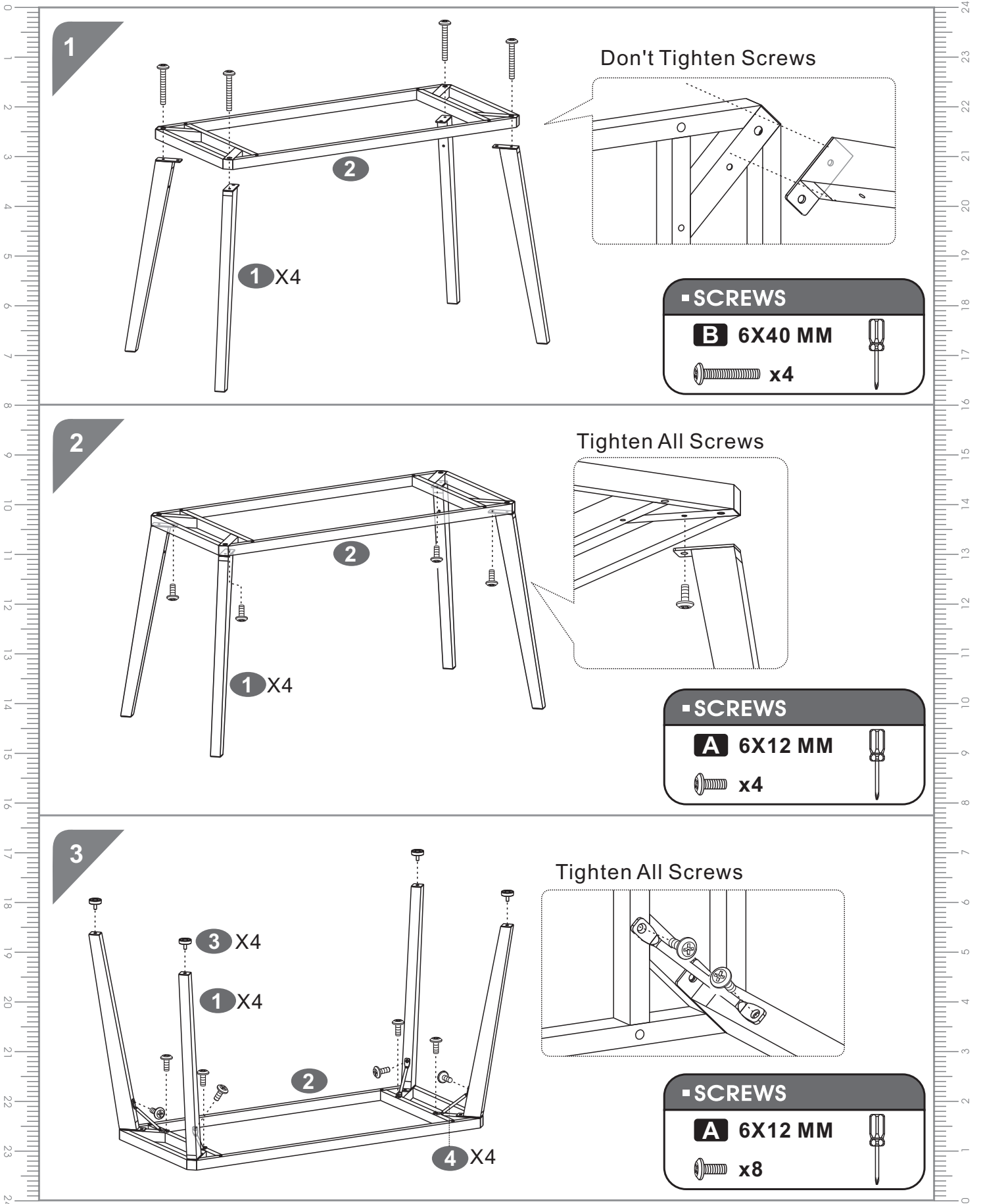
▪SCREWS LIST

PART	QTY.	ITEM		PART	QTY.	ITEM	
A	14	6X12 MM		G	10	Φ 15 MM	
B	8	6X40 MM		H	18	8X30 MM	
C	10	5X40 MM			1		
D	10	6X40 MM					
E	14	3X15 MM					
F	4	4X35 MM					

6X40MM BOLT INSTALLATION AS BEL OW:

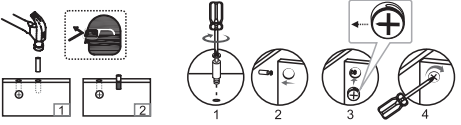
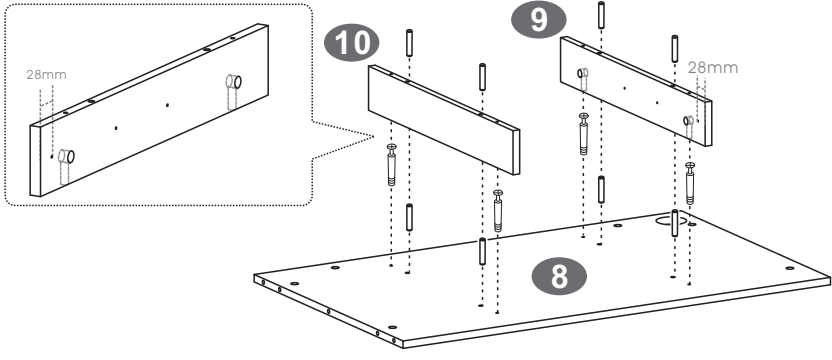


ASSEMBLY STEPS:



0
1
2
3
4
5
6
7
8
9
10
11
12
13
14
15
16
17
18
19
20
21
22
23
24

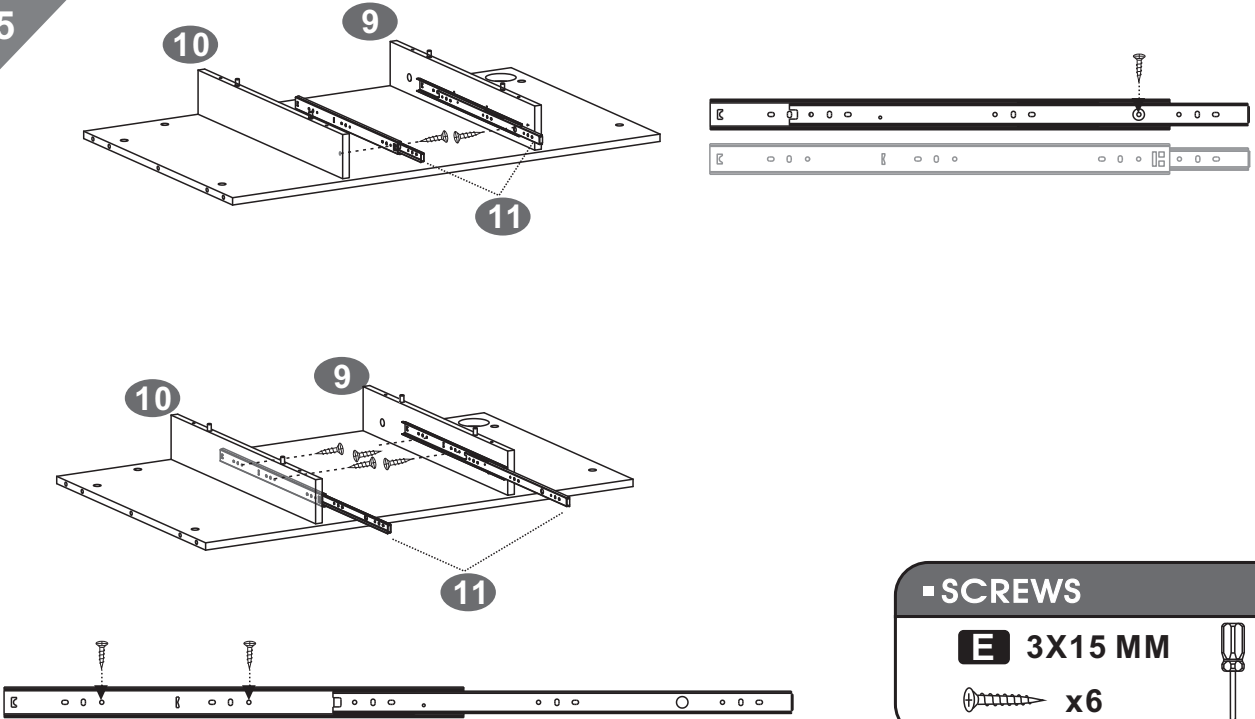
4



SCREWS

D 6X40 MM	
G Φ 15 MM	
H 8X30 MM	

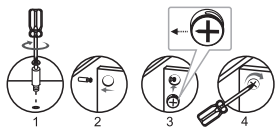
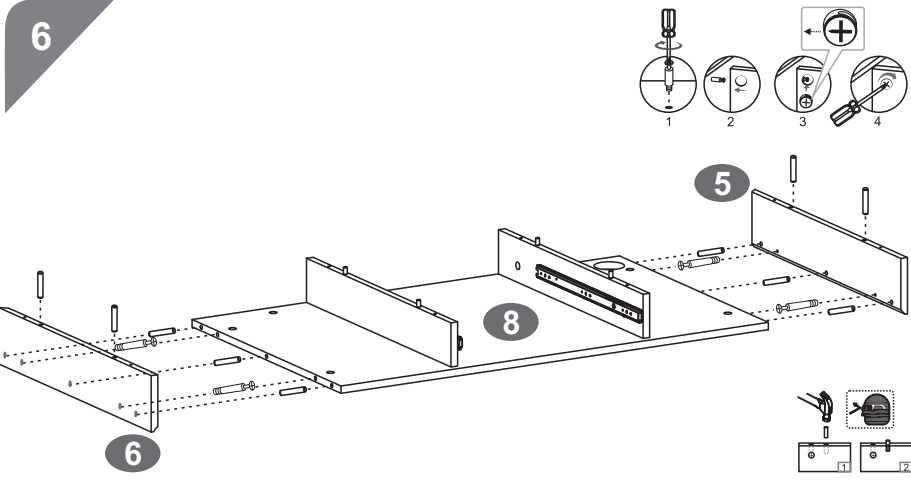
5



SCREWS

E 3X15 MM	
------------------	--

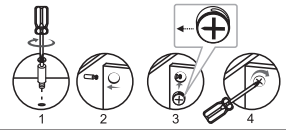
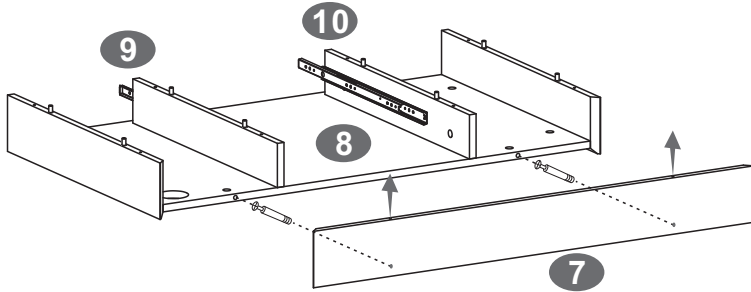
6



SCREWS

D 6X40 MM	
G Φ 15 MM	
H 8X30 MM	

7



SCREWS

D 6X40 MM

x2

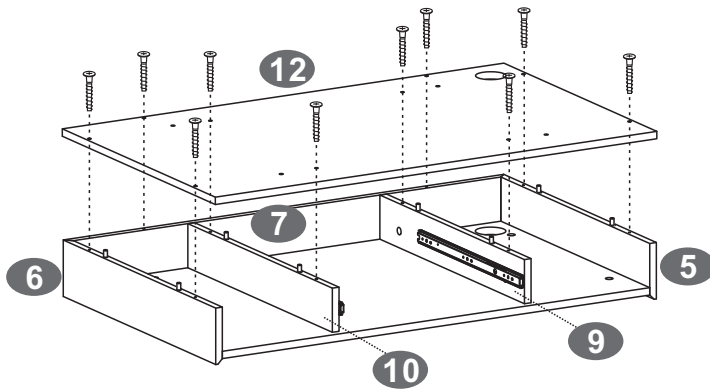


G Φ 15 MM

x2



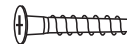
8



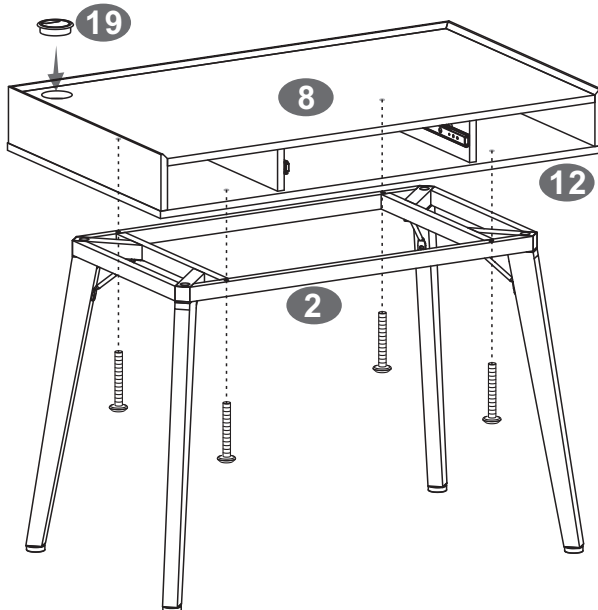
SCREWS

C 5X40 MM

x10



9



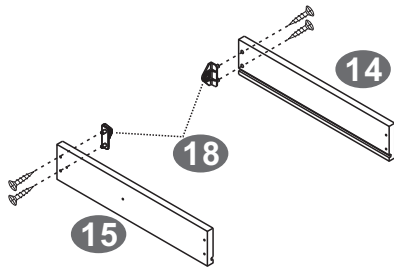
SCREWS

B 6X40 MM

x4



10



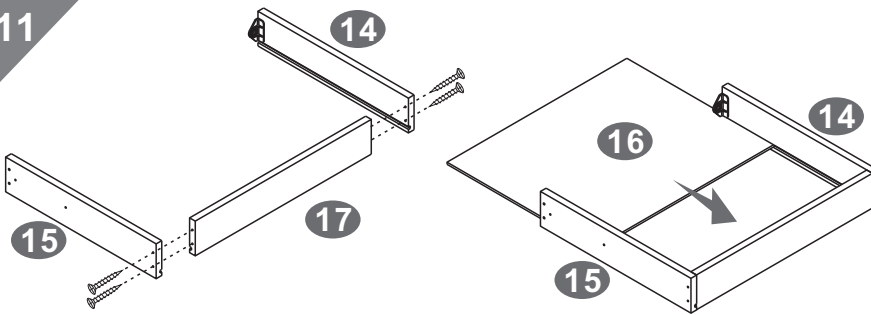
SCREWS

E 3X15 MM

x4



11



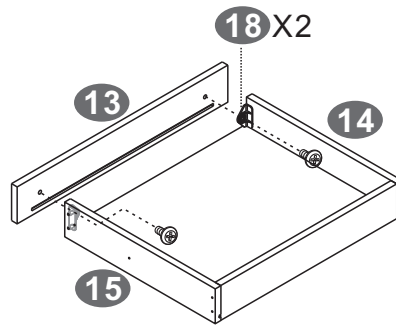
SCREWS

F 4X35 MM

x4



12



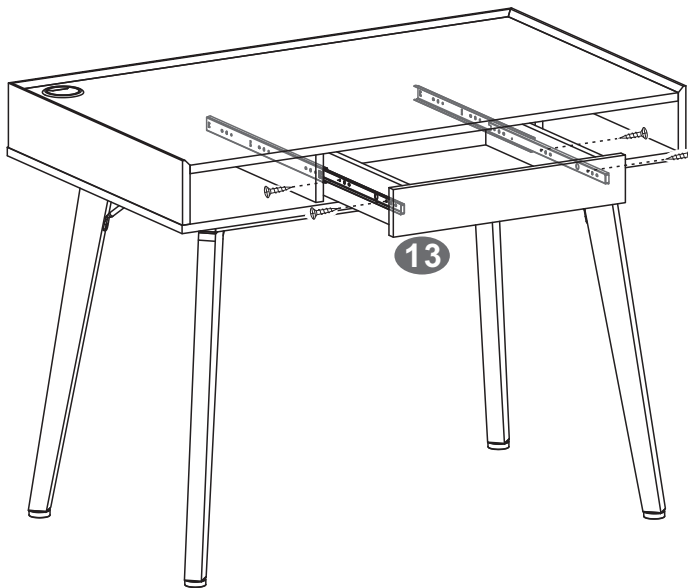
SCREWS

A 6X12 MM

x2



13



SCREWS

E 3X15 MM

x4

