

COMPUTER DESK

ASSEMBLY INSTRUCTIONS

Thank you for choosing to purchase from Piranha Furniture. We trust everything is as expected, however if there are **ANY** issues at all or you have further questions, please don't hesitate to email us and we will resolve the matter as quickly as possible:

United Kingdom: sales@piranhafurniture.com

Rest of EU: info@piranhaeurope.com

You can contact us through our website www.piranhafurniture.com where you will also find our full range of products.

Please read the assembly instructions carefully before the installation

Retain all packaging as, if required, goods must be returned packed in the original cartons.



TWO PEOPLE REQUIRED

MODEL PC40

General Care:

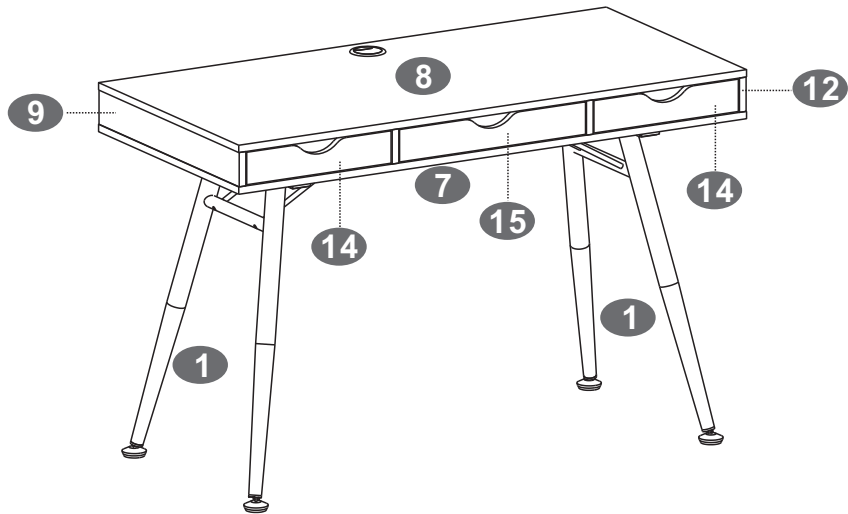
Keep furniture out of direct sunlight. Use mats and coasters to protect surfaces.
Do not place hot or wet items directly onto unprotected surfaces.

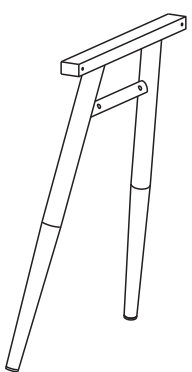
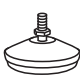
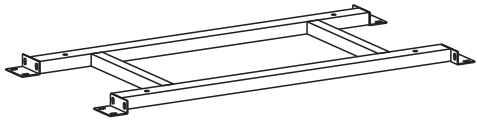
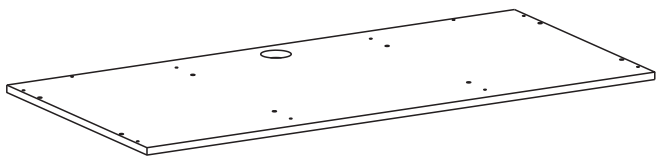


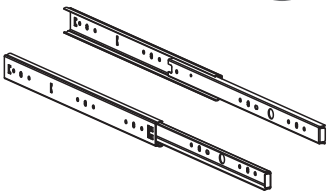
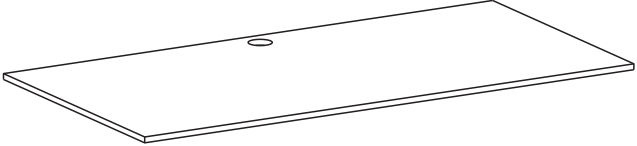
Cleaning:

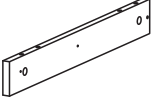
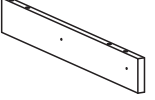
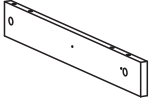
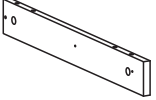
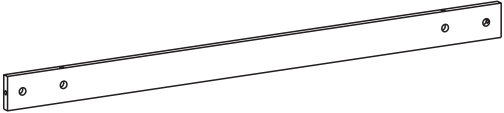



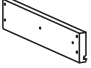
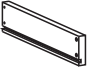




Wipe surfaces with a clean damp (not wet) cloth then dry with a clean lint free cotton cloth.
Glass surfaces may be polished with window or other glass cleaning liquids.





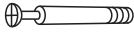
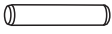

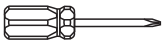
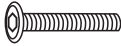


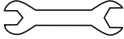

▀PARTS LIST



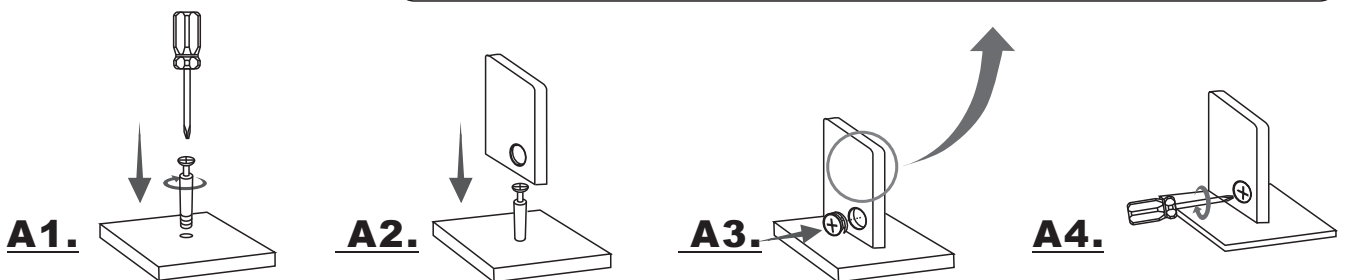
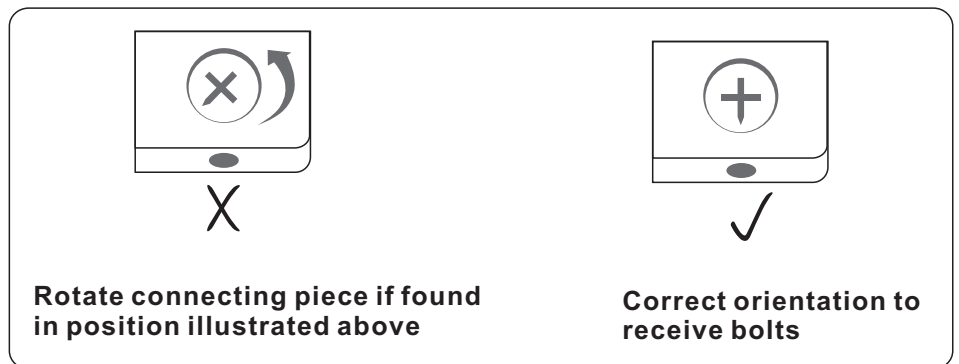
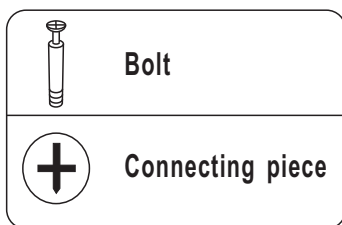
 <p>1</p> <p>X2</p>	 <p>2</p> <p>X4</p>	 <p>3</p> <p>X1</p>
 <p>7</p> <p>X1</p>	 <p>4</p> <p>X1</p>	 <p>5</p> <p>X4</p>  <p>6</p> <p>X3</p>
		 <p>8</p> <p>X1</p>

<p>9</p>  <p>X1</p>	<p>10</p>  <p>X1</p>	<p>11</p>  <p>X1</p>	<p>12</p>  <p>X1</p>
<p>13</p>  <p>X1</p>		<p>14</p>  <p>X2</p>	<p>15</p>  <p>X1</p>
<p>16</p>  <p>X6</p>	<p>17</p>  <p>X3</p>	<p>18</p>  <p>X3</p>	<p>19</p>  <p>X2</p>
<p>20</p>  <p>X2</p>	<p>21</p>  <p>X1</p>	<p>22</p>  <p>X1</p>	

▪SCREWS LIST

PART	QTY.	ITEM		PART	QTY.	ITEM	
A	36	3X15 MM		G	12	Φ 15 MM	
B	12	6X40 MM		H	16	8X30 MM	
C	10	5X40 MM			1		
D	8	6X35 MM			1		
E	12	4X35 MM			1		
F	26	6X15 MM					

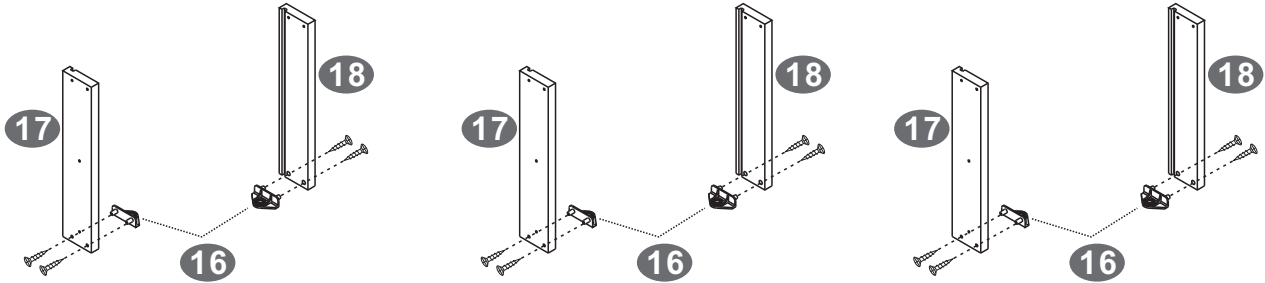
6X40MM BOLT INSTALLATION AS BELOW:





▪ ASSEMBLY STEPS:

1



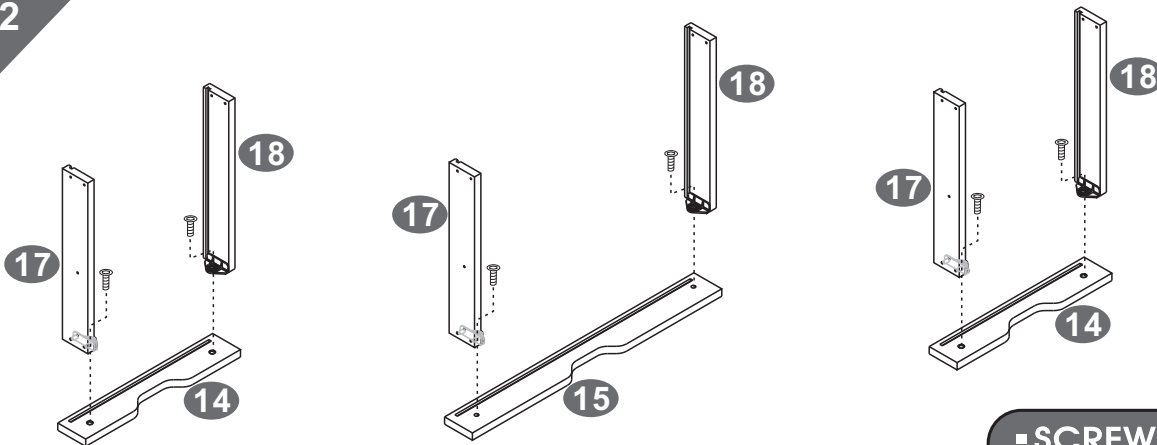
▪ SCREWS

A 3X15 MM

12PCS



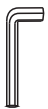
2



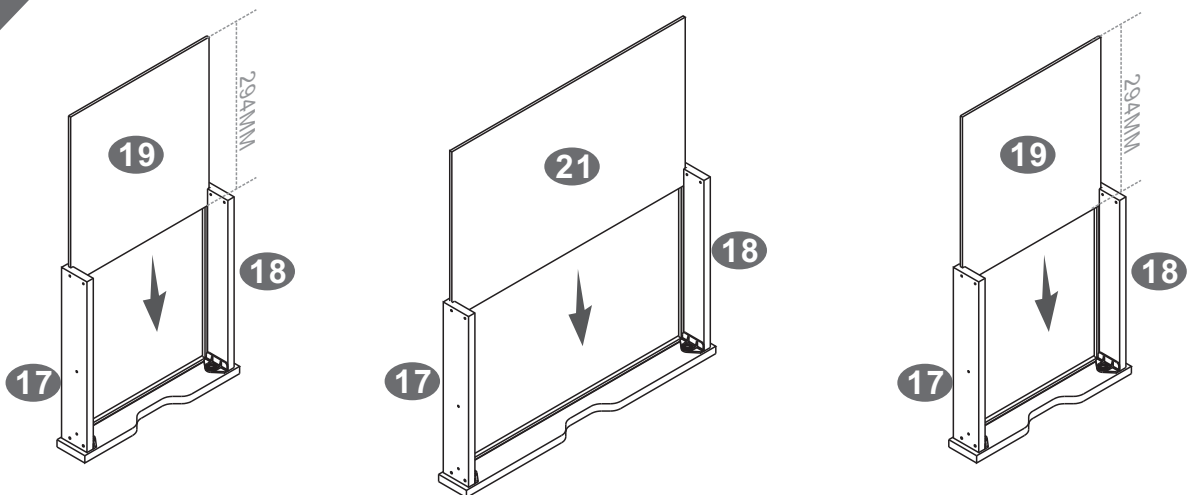
▪ SCREWS

F 6X15 MM

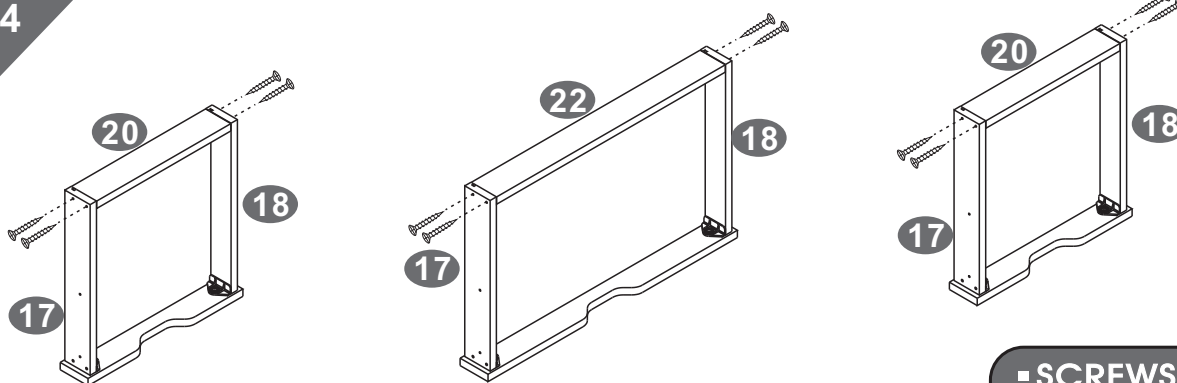
6PCS



3



4



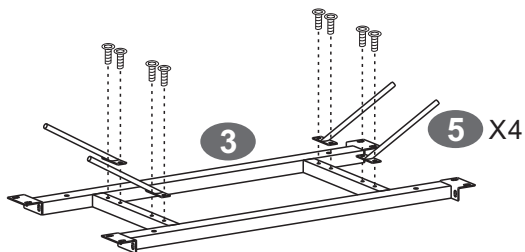
■ SCREWS

E 4X35 MM

 12PCS



5



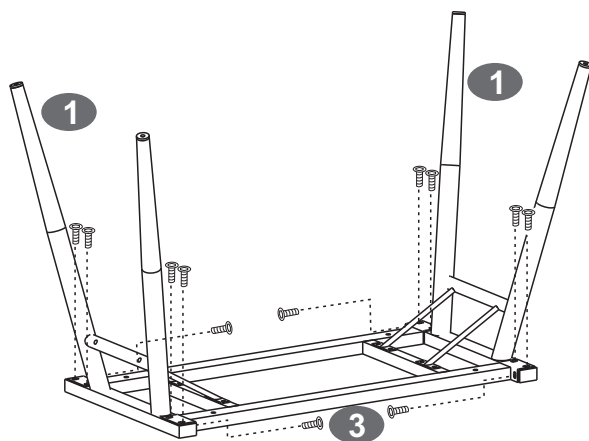
■ SCREWS

F 6X15 MM

 8PCS



6



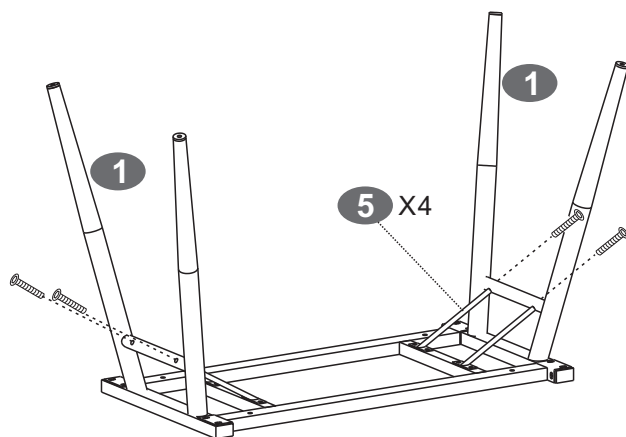
■ SCREWS

F 6X15 MM

 12PCS



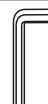
7



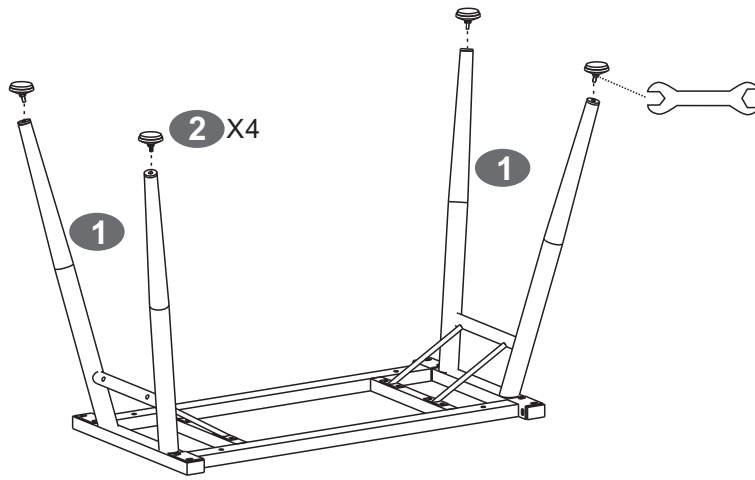
■ SCREWS

D 6X35 MM

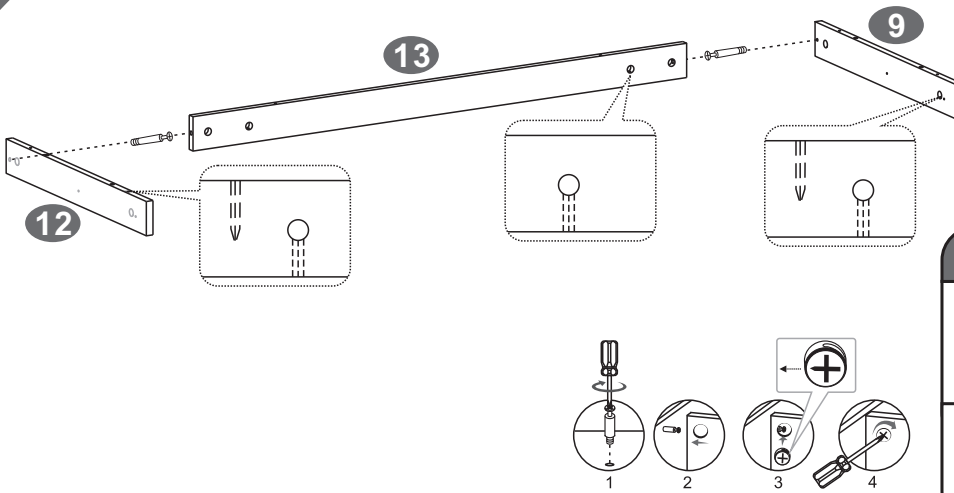
 4PCS



8



9

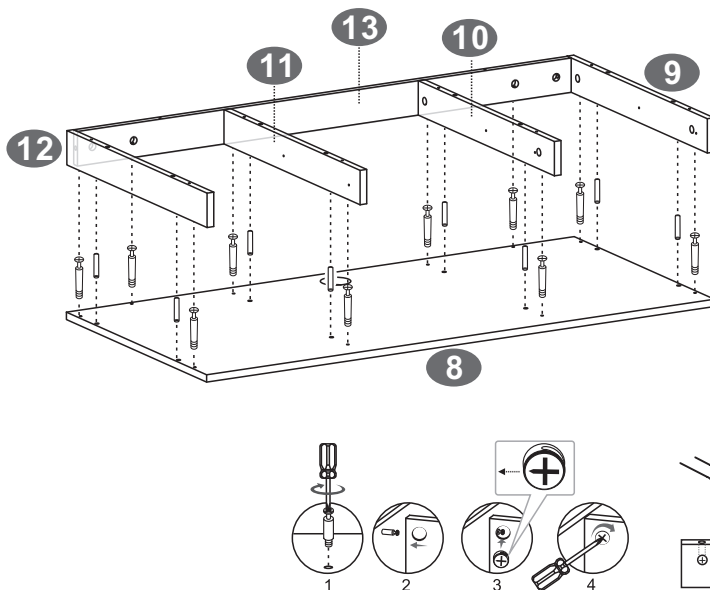


- SCREWS

B 6X40 MM
2PCS

G Φ 15 MM
2PCS

10



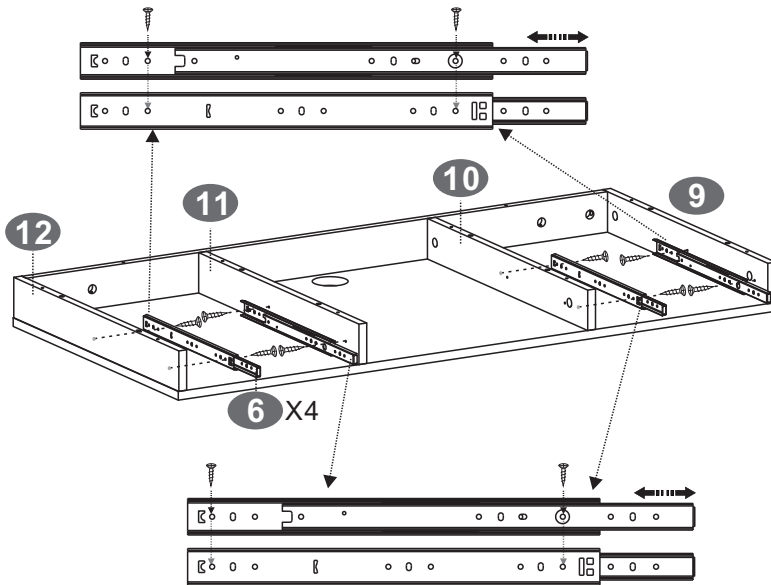
- SCREWS

B 6X40 MM
10PCS

G Φ 15 MM
10PCS

H 8X30 MM
8PCS

11



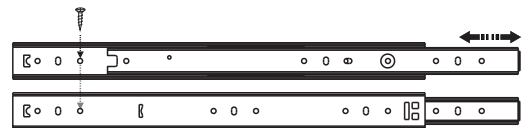
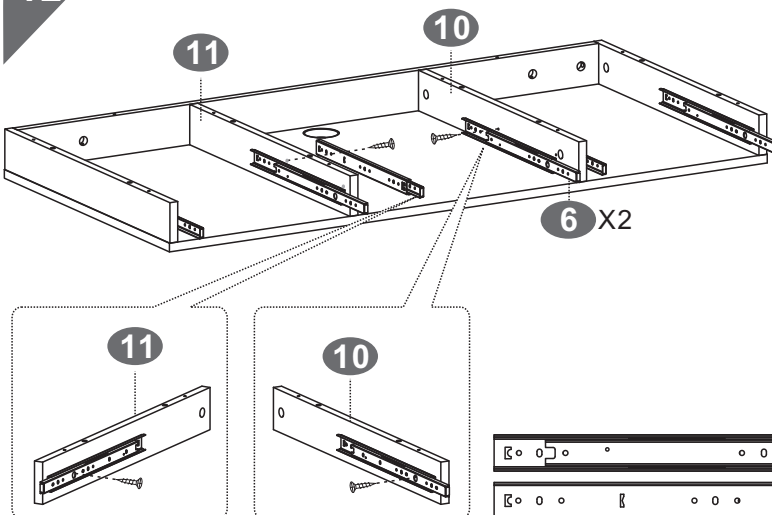
■ SCREWS

A 3X15 MM

8PCS



12



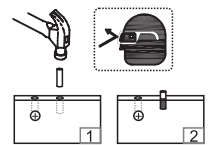
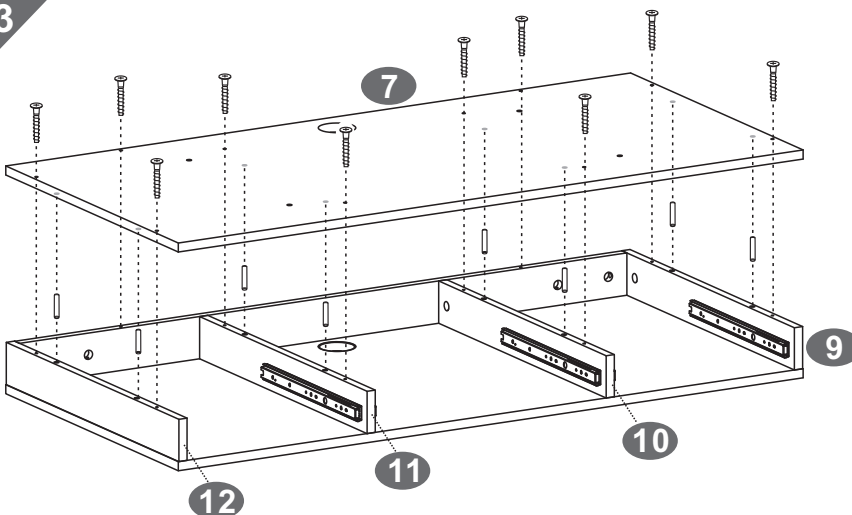
■ SCREWS

A 3X15 MM

4PCS



13



■ SCREWS

C 5X40 MM

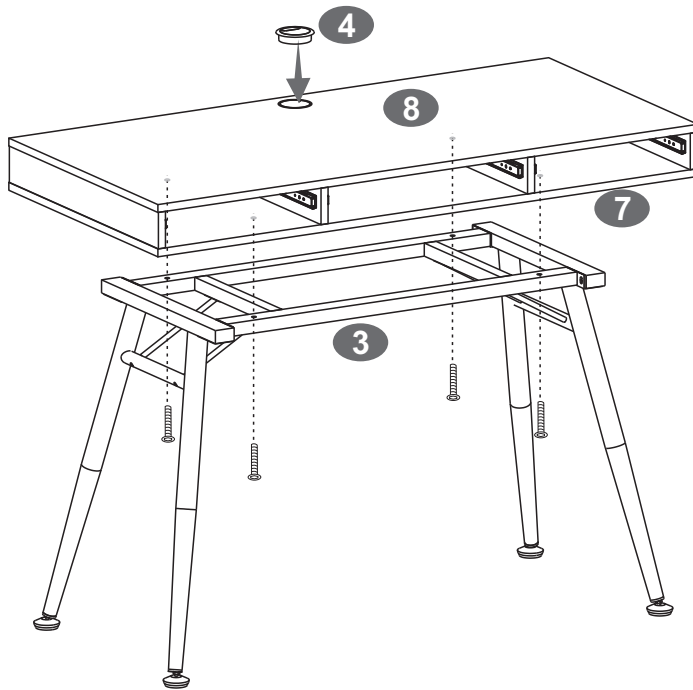
10PCS

H 8X30 MM

8PCS



14



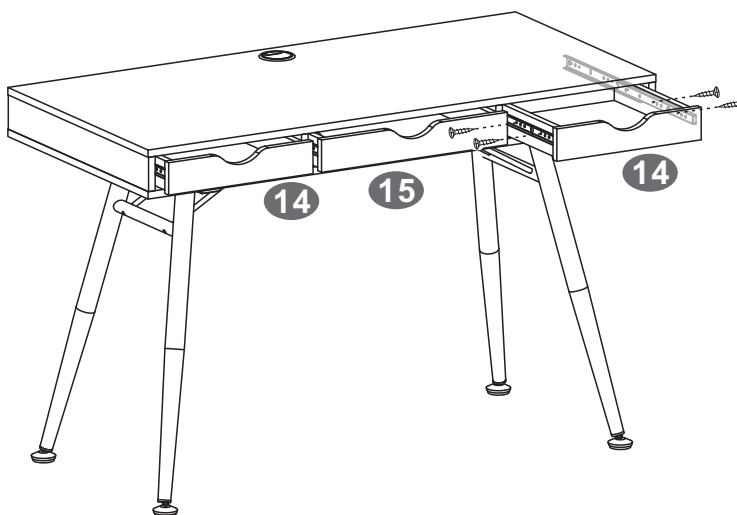
■ SCREWS

D 6X35 MM

 4PCS



15



■ SCREWS

A 3X15 MM

 12PCS

