

# COMPUTER DESK ASSEMBLY INSTRUCTIONS

Thank you for choosing to purchase from Piranha Furniture. We trust everything is as expected, however if there are **ANY** issues at all or you have further questions, please don't hesitate to email us and we will resolve the matter as quickly as possible:

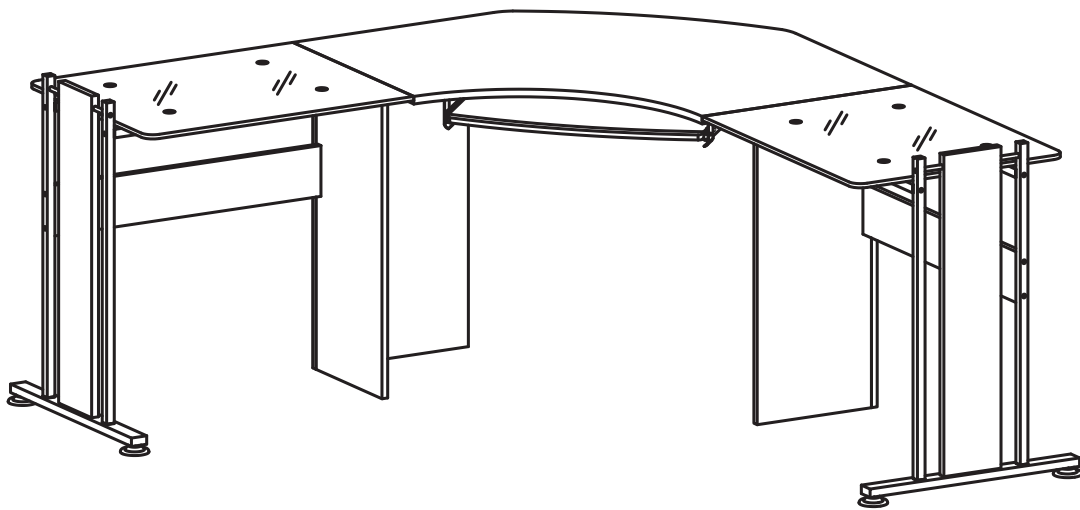
**United Kingdom:** [sales@piranhafurniture.com](mailto:sales@piranhafurniture.com)

**Rest of EU:** [info@piranhaeurope.com](mailto:info@piranhaeurope.com)

You can contact us through our website [www.piranhafurniture.com](http://www.piranhafurniture.com) where you will also find our full range of products.

**Please read the assembly instructions carefully before the installation**

**Retain all packaging as, if required, goods must be returned packed in the original cartons.**



**TWO PEOPLE REQUIRED**

**MODEL PC42**

**General Care:**

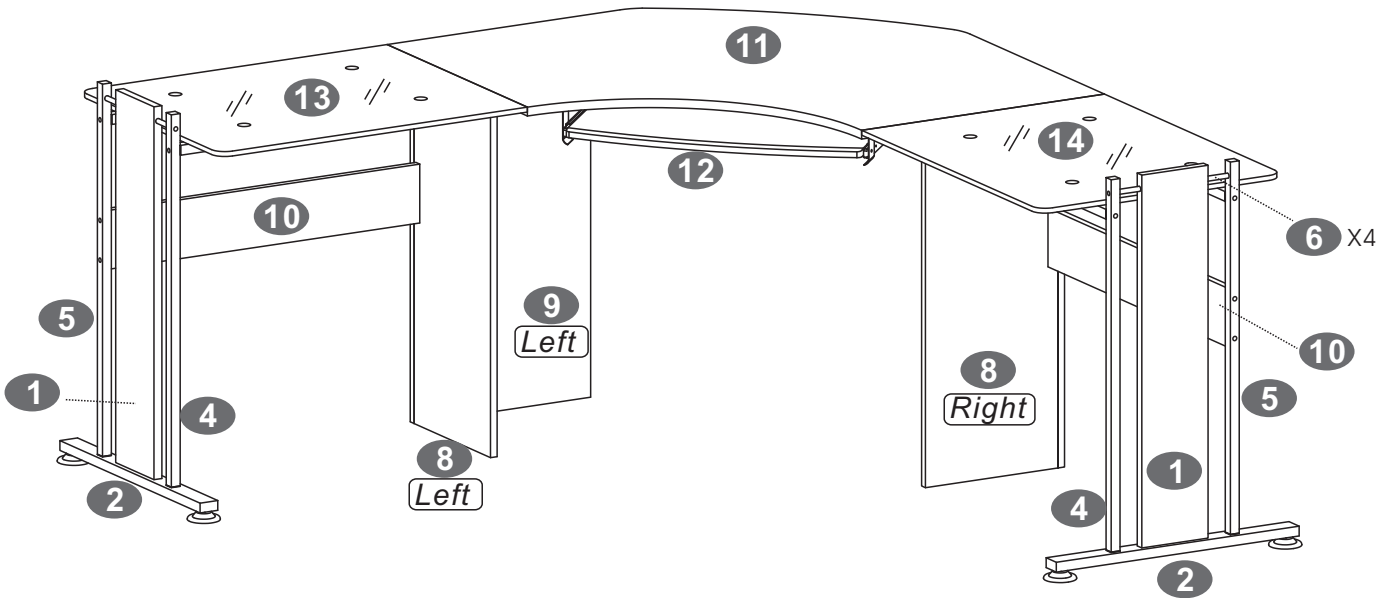
Keep furniture out of direct sunlight. Use mats and coasters to protect surfaces.  
Do not place hot or wet items directly onto unprotected surfaces.

**Cleaning:**


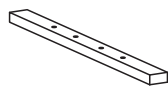
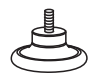




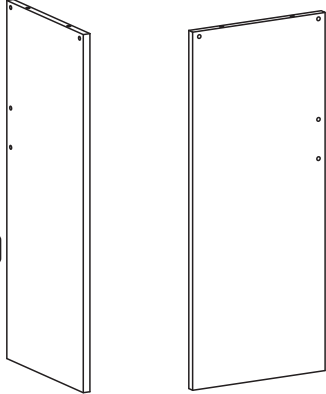
Wipe surfaces with a clean damp (not wet) cloth then dry with a clean lint free cotton cloth.  
Glass surfaces may be polished with window or other glass cleaning liquids.



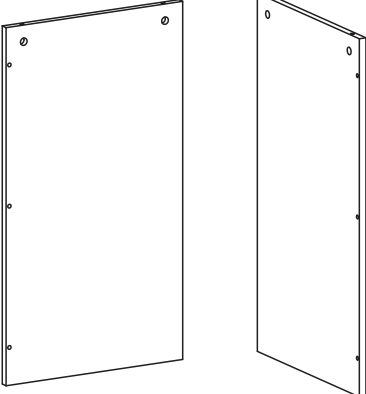

▀ PARTS LIST

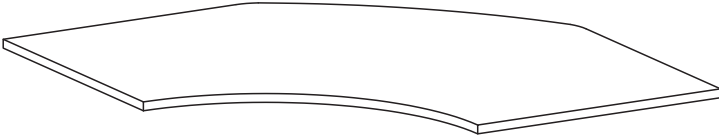



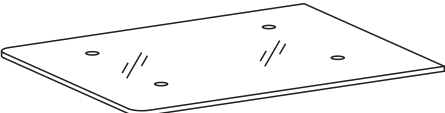
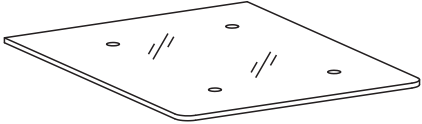
1/2 means this part is packed inside 1st carton  
2/2 means this part is packed inside 2nd carton


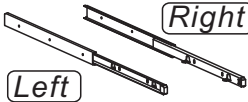
1/2  X2	1	1/2  X2	2	2/2  X4	3	1/2  X2	4
1/2  X2	5	2/2  X4	6	2/2  X4	7	8  Left Right	



<p><math>\frac{2}{2}</math></p> <p><b>9</b></p> <p><i>Left</i></p>  <p><i>Right</i></p> <p>X1</p>	<p><math>\frac{1}{2}</math></p> <p><b>10</b></p>  <p>X2</p>
--	---

<p><math>\frac{2}{2}</math></p> <p><b>11</b></p>  <p>X1</p>	<p><math>\frac{2}{2}</math></p> <p><b>12</b></p>  <p>X1</p>
---	---

<p><math>\frac{1}{2}</math></p> <p><b>13</b></p>  <p>X1</p>	<p><math>\frac{1}{2}</math></p> <p><b>14</b></p>  <p>X1</p>
--	---

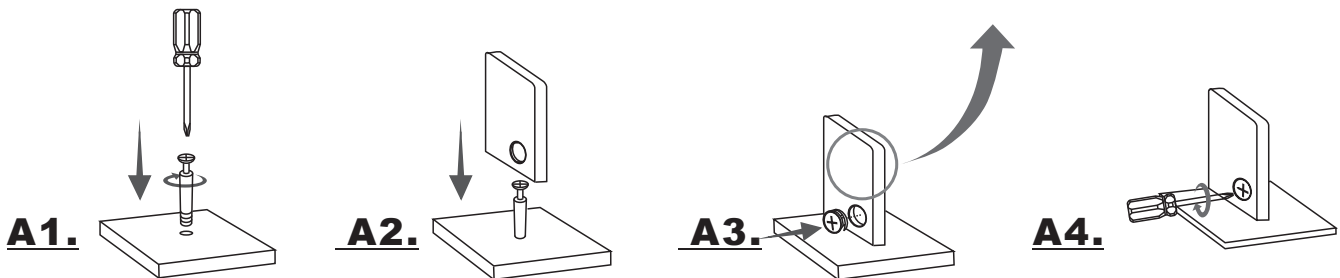
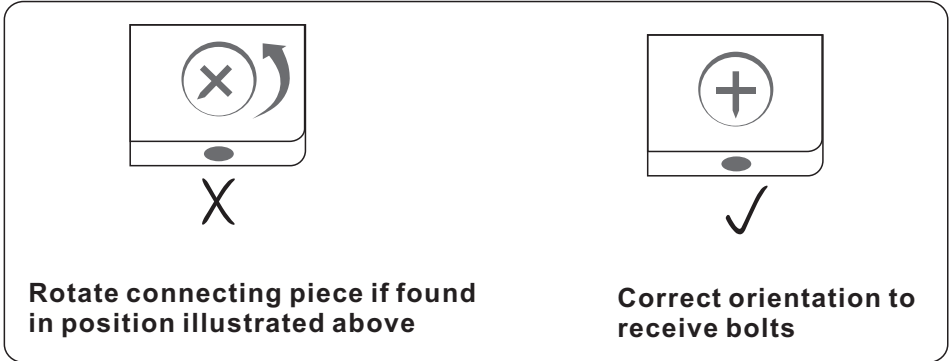
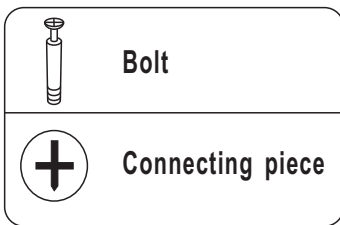
<p><math>\frac{2}{2}</math></p> <p><b>15</b></p>  <p>X4</p>	<p><math>\frac{2}{2}</math></p> <p><b>16</b></p> <p><i>Right</i></p>  <p><i>Left</i></p> <p>X1</p>
--	---



### ▪SCREWS LIST

PART	QTY.	ITEM		PART	QTY.	ITEM	
<b>A</b>	18	6X50 MM		<b>G</b>	4	4X4 MM	
<b>B</b>	20	6X25 MM		<b>H</b>	18	Φ10 MM	
<b>C</b>	4	6X12 MM		<b>I</b>	8	Φ15 MM	
<b>D</b>	4	6X80 MM			1		
<b>E</b>	8	6X40 MM					
<b>F</b>	4	4X14 MM					

### 6X40MM BOLT INSTALLATION AS BELOW:







ASSEMBLY STEPS:

**1**


**SCREWS**

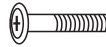
**B** 6X25 MM 

 1PC







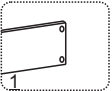
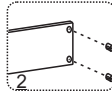
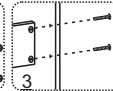
**2**

**SCREWS**


**D** 6X80 MM 


 1PC


**3**

**SCREWS**


**A** 6X50 MM 

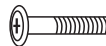
 2PCS

**H**  $\Phi$  10 MM  2PCS

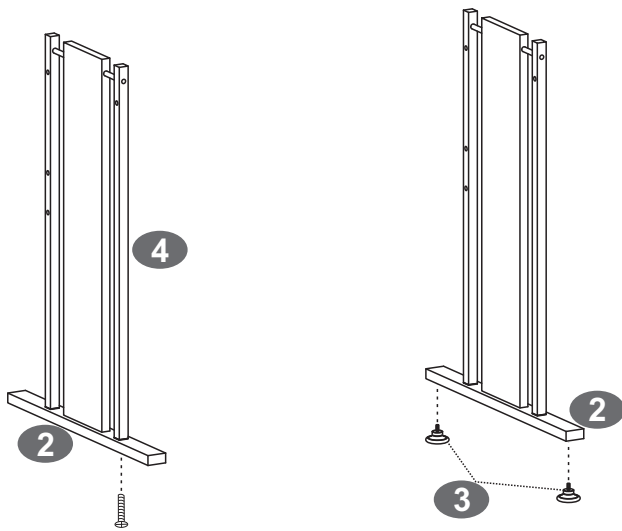
**4**

**SCREWS**

**D** 6X80 MM 

 1PC

5



Repeat step 1 to 5  
For the other one

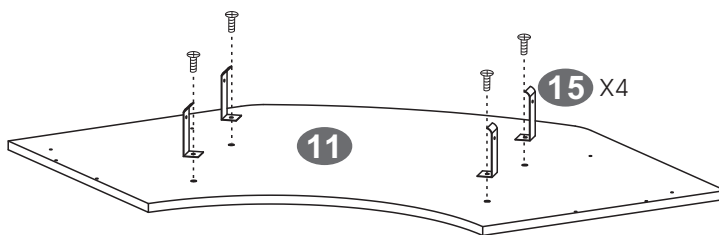
SCREWS

**B** 6X25 MM

1PC



6



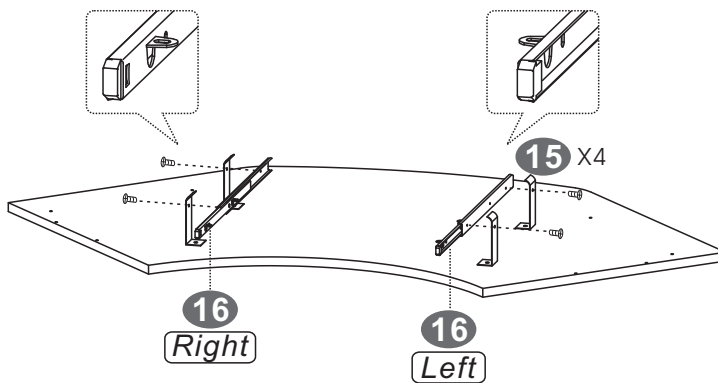
SCREWS

**C** 6X12 MM

4PCS



7



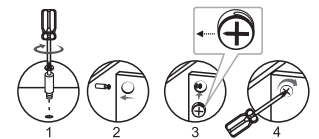
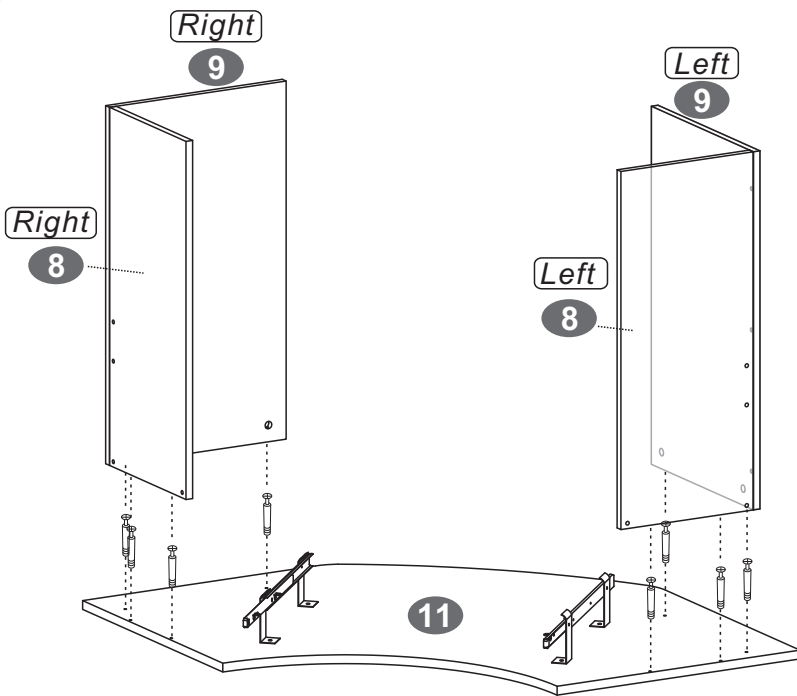
SCREWS

**G** 4X4 MM

4PCS



8



SCREWS

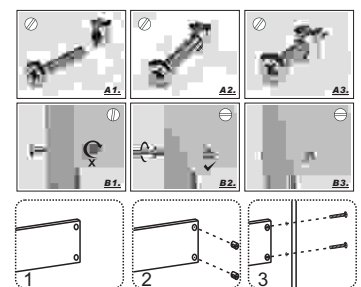
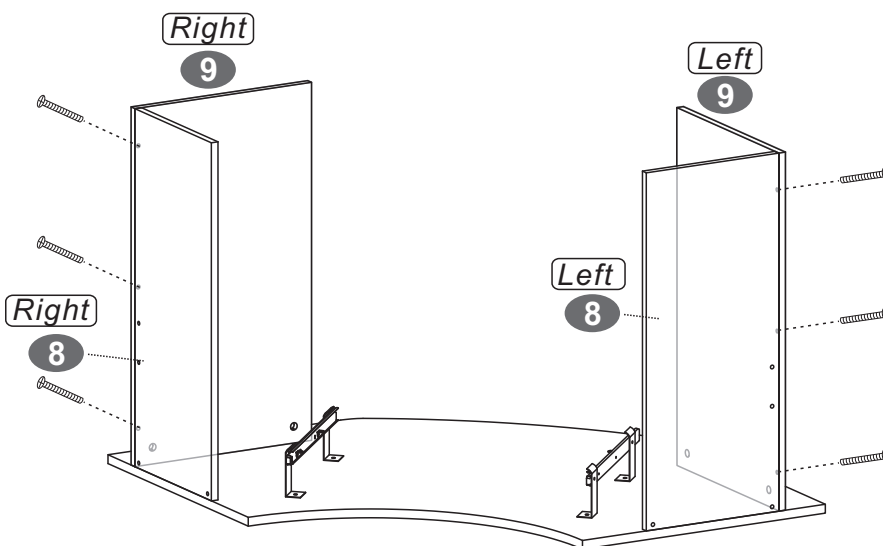
**E** 6X40 MM

8PCS

**I**  $\Phi$  15 MM

8PCS

9



SCREWS

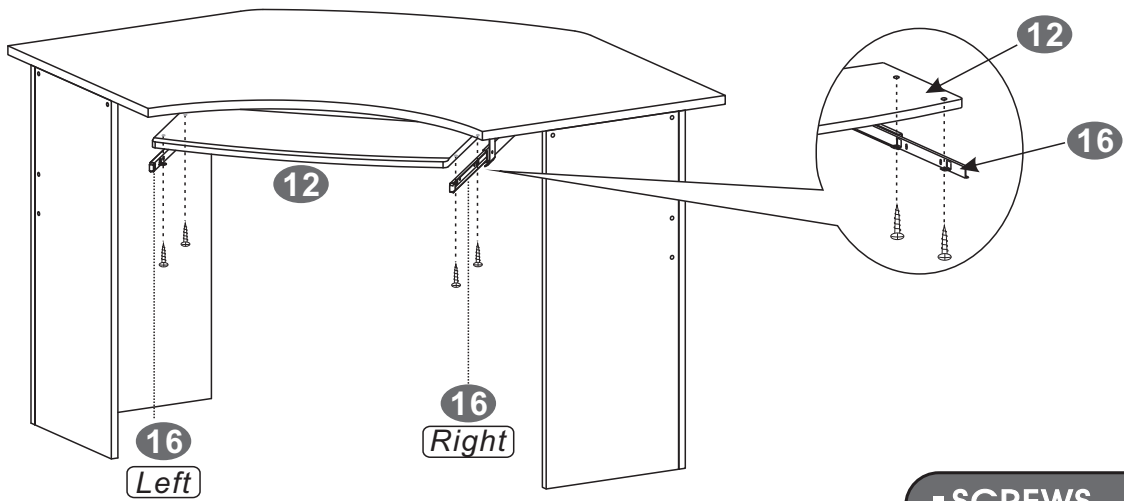
**A** 6X50 MM

6PCS

**H**  $\Phi$  10 MM

6PCS

10



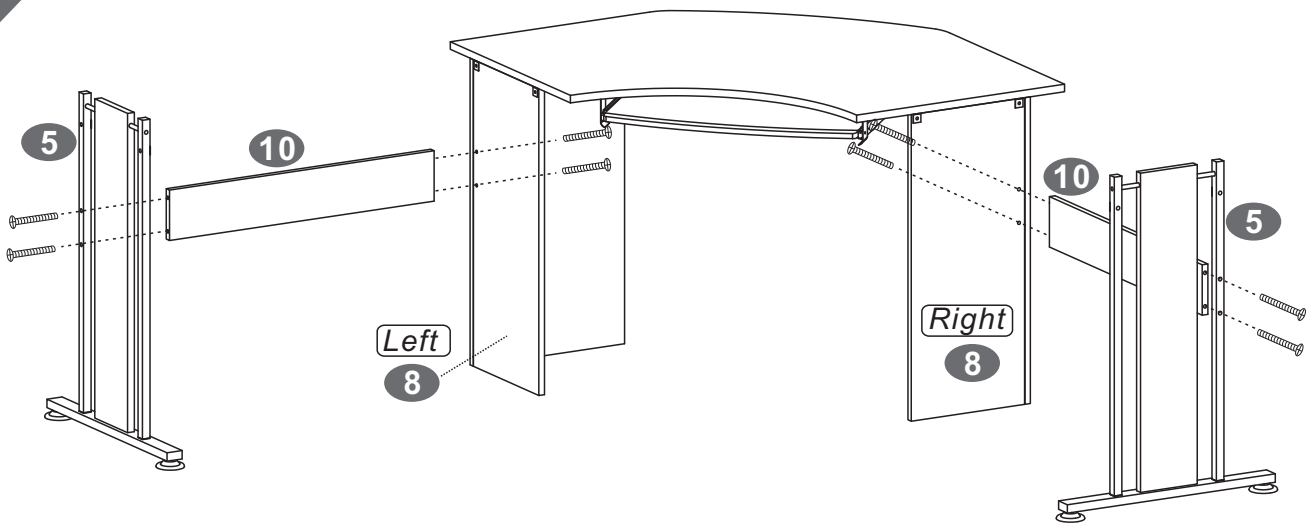
▪ SCREWS

**F** 4X14 MM

 4PCS



11



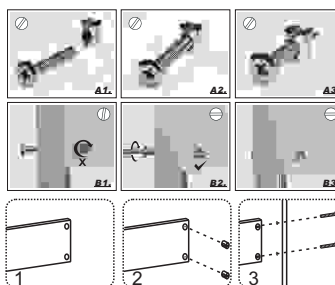
▪ SCREWS

**A** 6X50 MM

 8PCS

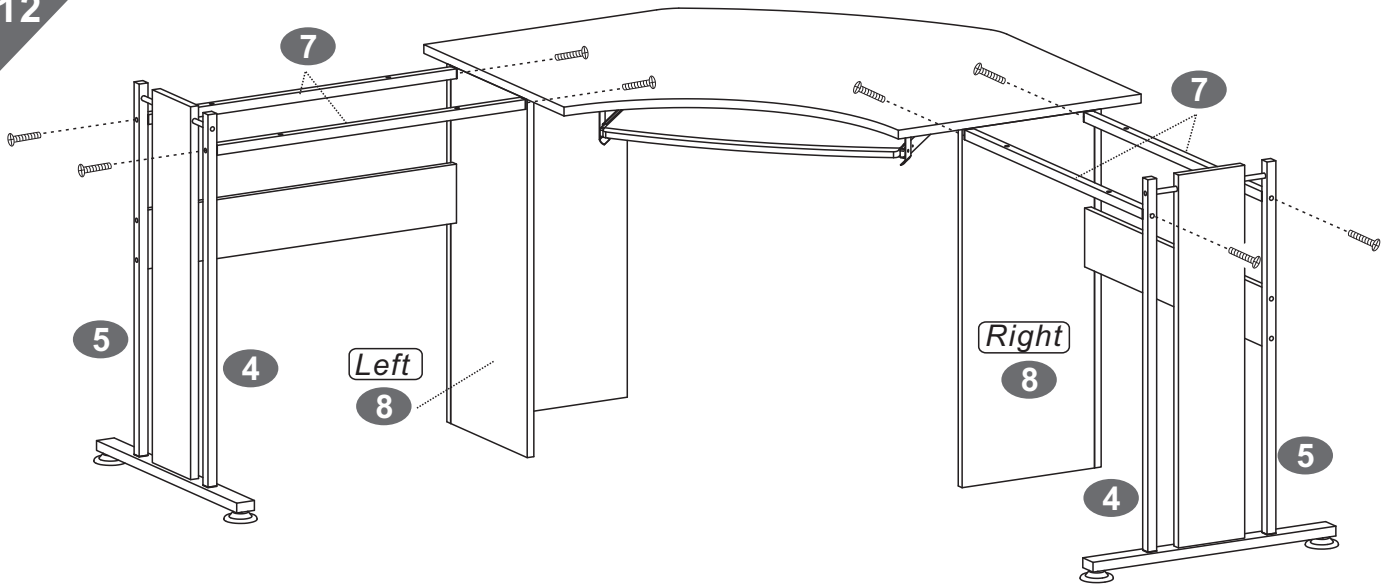
**H**  $\Phi$  10 MM

 8PCS





12



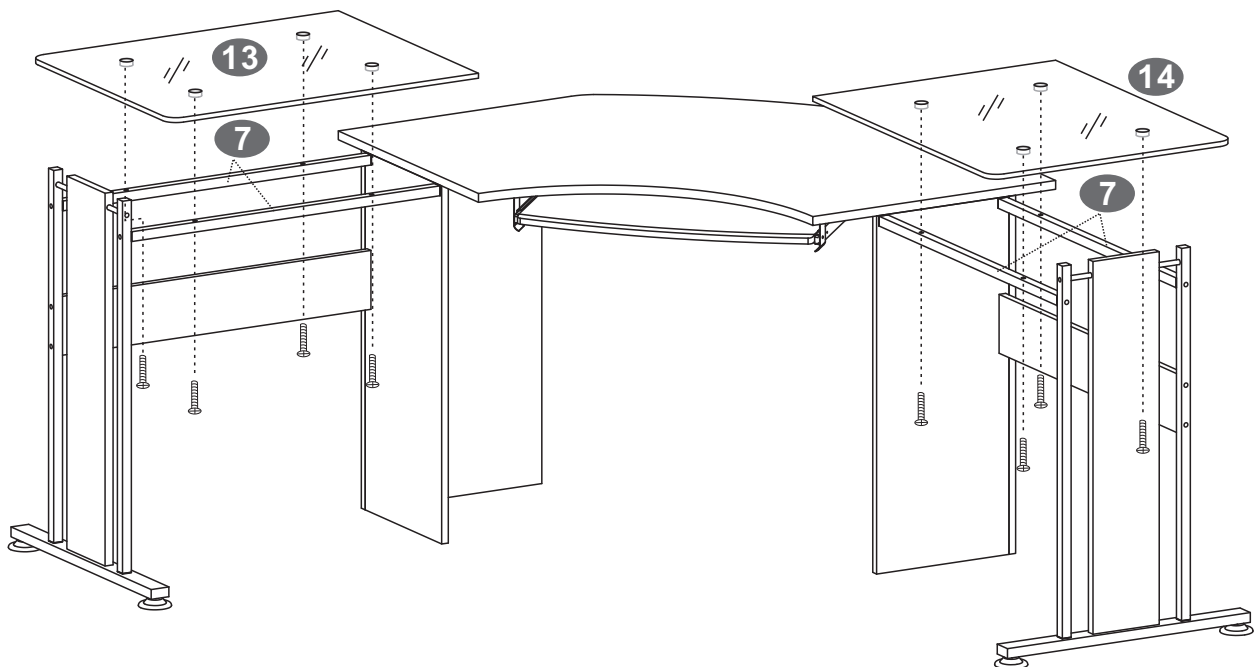
■ SCREWS

**B** 6X25 MM

8PCS



13



■ SCREWS

**B** 6X25 MM

8PCS

